

- 19" Industrial **MetalCase Monitor (4:3)**
- Resolution:
SXGA (1280x1024)
- **Touch** or **w/o -Touch** version
with USB or RS232 driver interface connection
- Two Power options available:
18 ~ 36V, VDC or **80 ~ 265V, VAC**
- **VESA 100x100 + 200x100**

IMC-190X
Made in ITALY



DISPLAY

Size:	19"
Resolution:	SXGA (1280x1024)
Aspect Ratio:	4:3
Backlight:	Led
Bright and Contrast:	250 cd/mq 1000:1
Colors:	16 M
View Angle:	170° - 160°

FRONT PANEL

Thickness:	6 mm
Graphic:	Black painted steel
Front Panel Type:	MetalCase

TOUCH SCREEN

(Only with Touch Version)

Glass Thickness:	3 mm
Technology:	Resistive 5 wires
Connection Type:	USB 2.0 or RS232

I/O INTERFACE

Video Input:	1x DVI-I 1x VGA (D_SUB 15pin)
USB ports:	1x USB 2.0 or RS232 for Touch Driver (Only with Touch Version)

POWER

Power in:	18 ~ 36V, VDC Version 80 ~ 265V, VAC Version
Max power:	18W max

MECHANICAL

Material:	Steel
IP Protection:	IP40
Dimensions:	(W)430x(D)355,7x(H)72mm
Weight:	7 Kg
Mounting:	VESA 100x100 + 200x100

ENVIRONMENT

Operating temp.:	0°C ~ 50°C
Storage temp.:	-20°C ~ 70°C
Humidity:	40% ~ 60% Humidity, non-condensing
EMC:	CE, FCC, RoHS, LVD

SARC ITALIA SRL

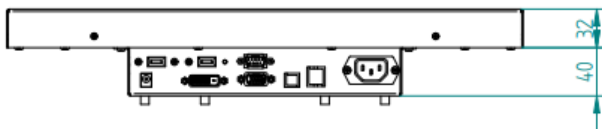
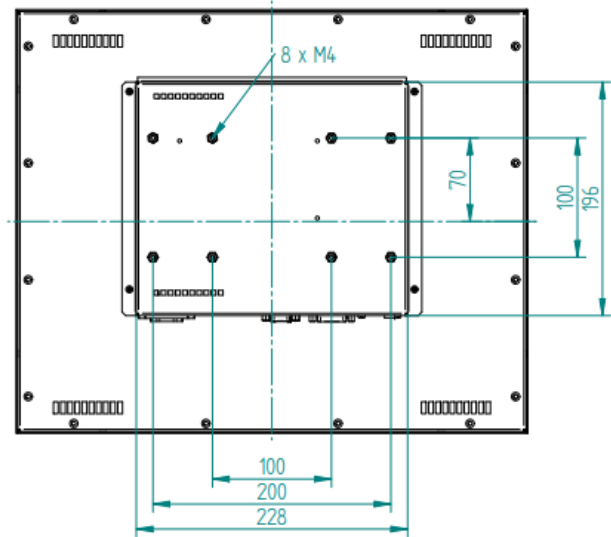
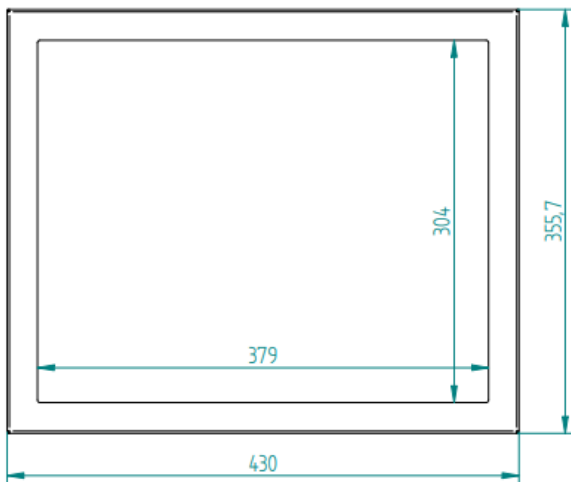
Strada Albareto, 503 - 41122 Modena - ITALY
Tel. +39 059 8751076 Fax. +39 059 8751025



Website: www.indatech.it

Email: info@indatech.it

INDATECH®



Accessories Included:

- 1x Power Cable
- 1x VGA Cable + 1x DVI-I Cable
- 1x USB 2.0 Cable

ORDER CODE:

Contact your sales representative for configuration.

SARC ITALIA SRL

Strada Albareto, 503 - 41122 Modena - ITALY
Tel. +39 059 8751076 Fax. +39 059 8751025



Website: www.indatech.it

Email: info@indatech.it